

WHT714EUK

Free-standing Washing Machine in
white
Energy rating A+++B

EAN13: 8017709202033



- Electronic display panel includes 24h delay timer, time to end, spin regulation, temp regulation.
- Buttons/Options: Delay timer/ Prewash/ Additional rinse/ No spin/ Rinse hold/ Easy iron/ Quick/ Cold wash.
- Electronic display shows programme selected and progression.
- 16 washing programmes including;
 - Special programmes; Hand wash, Shirts, Quick 30mins, Curtains, Wool (Wool cycle has been approved by 'The Woolmark company' M14127).
- Variable spin speed up to 1400rpm
- Max washing capacity: 7Kg dry laundry
- St/steel drum and polypropylene tank
- Extra large 340mm porthole
- Automatic variable load
- Partial Aquastop
- Child lock (programme lock)
- Brushless motor
- Depth: 500mm

Consumption: (220 cycles)

- Water: 9020 litres/per annum
- Energy: 169 kWh/per annum
- Noise level washing phase: 53 dB (A) 1 re pW
- Noise level spinning phase: 75 dB (A) 1 re pW
- Energy efficiency class: A+++
- Spin drying performance:





WHT714EUK

7kg load washing machine
free standing
60 cm
white
energy rating A++
spin speed: 1400

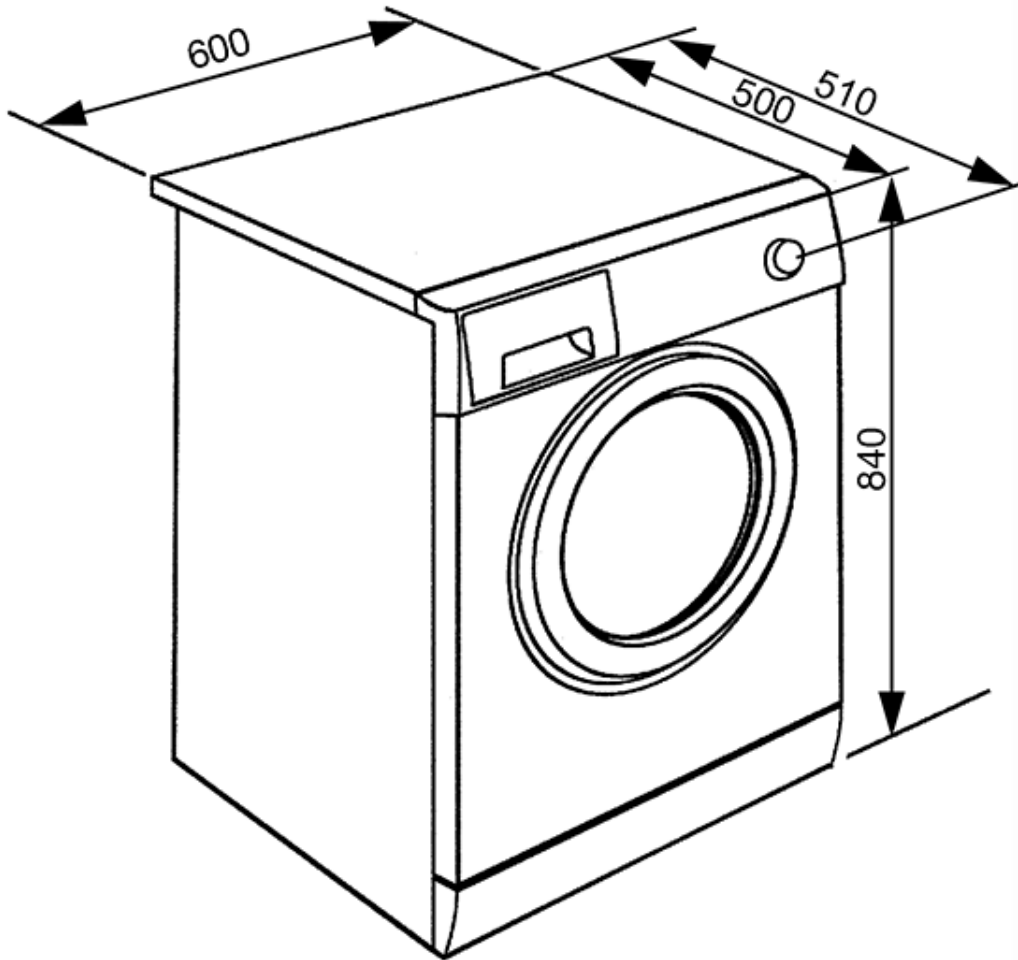


Smeg (UK) Limited
3 Milton Park, Abingdon
Oxon OX14 4RN
Tel. +44 (0)844 557 9907
Fax +44 (0)844 557 9337



WHT714EUK

7kg load washing machine
free standing
60 cm
white
energy rating A++
spin speed: 1400



Smeg (UK) Limited
3 Milton Park, Abingdon
Oxon OX14 4RN
Tel. +44 (0)844 557 9907
Fax +44 (0)844 557 9337