

## WHT814LUK

Free-standing Washing Machine in White  
& Silver  
Energy rating A+++B

ONLY AVAILABLE FROM SELECTED  
DEALERS

EAN13: 8017709205324



- Electronic display panel includes 24h delay timer, time to end, spin regulation, temp regulation, and recommended load.
- Buttons/Options: Delay timer/ Prewash/ Additional rinse/ No spin/ Rinse hold/ Easy iron/ Quick/ Cold wash
- Electronic display shows programme selected and progression
- 16 washing programmes including Special programmes; Hand wash, Shirts, Quick 14mins, Curtains, Wool (Wool cycle has been approved by 'The Woolmark company' M1325).
- Variable spin speed up to 1400rpm
- Max washing capacity: 8Kg dry laundry
- St/steel drum and polypropylene tank
- Extra large 340mm porthole
- Automatic variable load
- Total Aquastop
- Child lock (programme lock)
- Brushless motor
- Depth: 540mm

Consumption: (220 cycles)

- Water: 10560 litres/per annum
- Energy: 199 kWh/per annum
- Noise level washing phase: 52 dB (A) 1 re pW
- Noise level spinning phase: 77 dB (A) 1 re pW
- Energy efficiency class: A+++
- Spin drying performance: B

Dimensions:

- W 600 x D 540 x H 840mm





## WHT814LUK

8kg load washing machine  
free standing  
60 cm  
white  
energy rating A+++B  
spin speed: 1400

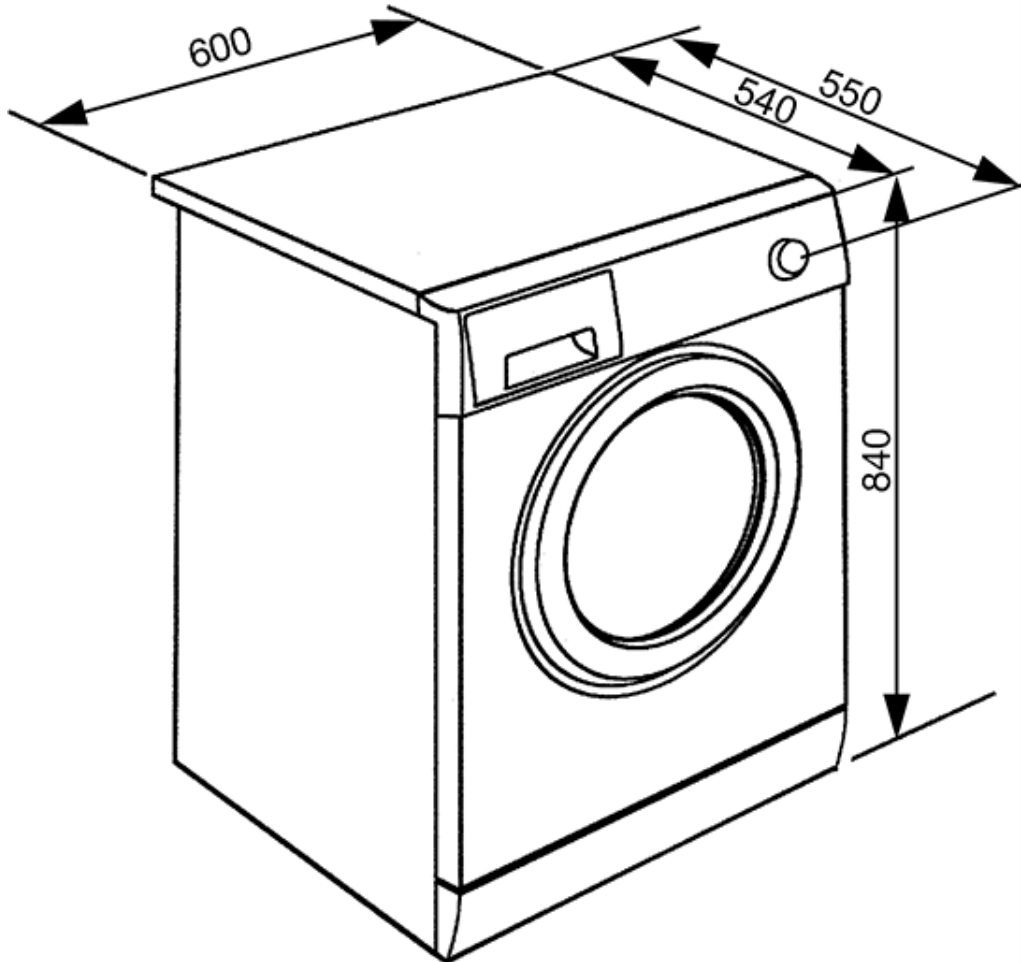


Smeg (UK) Limited  
3 Milton Park, Abingdon  
Oxon OX14 4RN  
Tel. +44 (0)844 557 9907  
Fax +44 (0)844 557 9337



## WHT814LUK

8kg load washing machine  
free standing  
60 cm  
white  
energy rating A+++B  
spin speed: 1400



Smeg (UK) Limited  
3 Milton Park, Abingdon  
Oxon OX14 4RN  
Tel. +44 (0)844 557 9907  
Fax +44 (0)844 557 9337