

WHT914LSUK

Free-standing Washing Machine in
White & Silver
Energy rating A+++B

ONLY AVAILABLE FROM SELECTED
DEALERS

EAN13: 8017709205331



- Electronic display panel includes 24h delay timer, time to end, spin regulation, temp regulation, and recommended load.
- Buttons/Options: Delay timer/ Prewash/ Additional rinse/ No spin/ Rinse hold/ Easy iron/ Steam/ cold wash
- Electronic display shows programme selected and progression
- 16 washing programmes including
 - Special programmes; Hand wash, Duvet, Quick 14mins, Curtains, Wool (Wool cycle has been approved by 'The Woolmark company' M14024)..
- Variable spin speed up to 1400rpm
- Max washing capacity: 9Kg dry laundry
- St/steel drum and polypropylene tank
- Extra large 340mm porthole
- Automatic variable load
- Total Aquastop
- Child lock (programme lock)
- Brushless motor
- Depth: 600mm

Consumption: (220 cycles)

- Water: 10560 litres/per annum
- Energy: 214 kWh/per annum
- Noise level washing phase: 53 dB (A) 1 re pW
- Noise level spinning phase: 76 dB (A) 1 re pW
- Energy efficiency class: A+++
- Spin drying performance: B

Dimensions:

- W 600 x D 600 x H 840mm



Smeg (UK) Limited
3 Milton Park, Abingdon
Oxon OX14 4RN
Tel. +44 (0)844 557 9907
Fax +44 (0)844 557 9337



WHT914LSUK

9kg load washing machine
free standing
60 cm
white
energy rating A+++B
spin speed: 1400

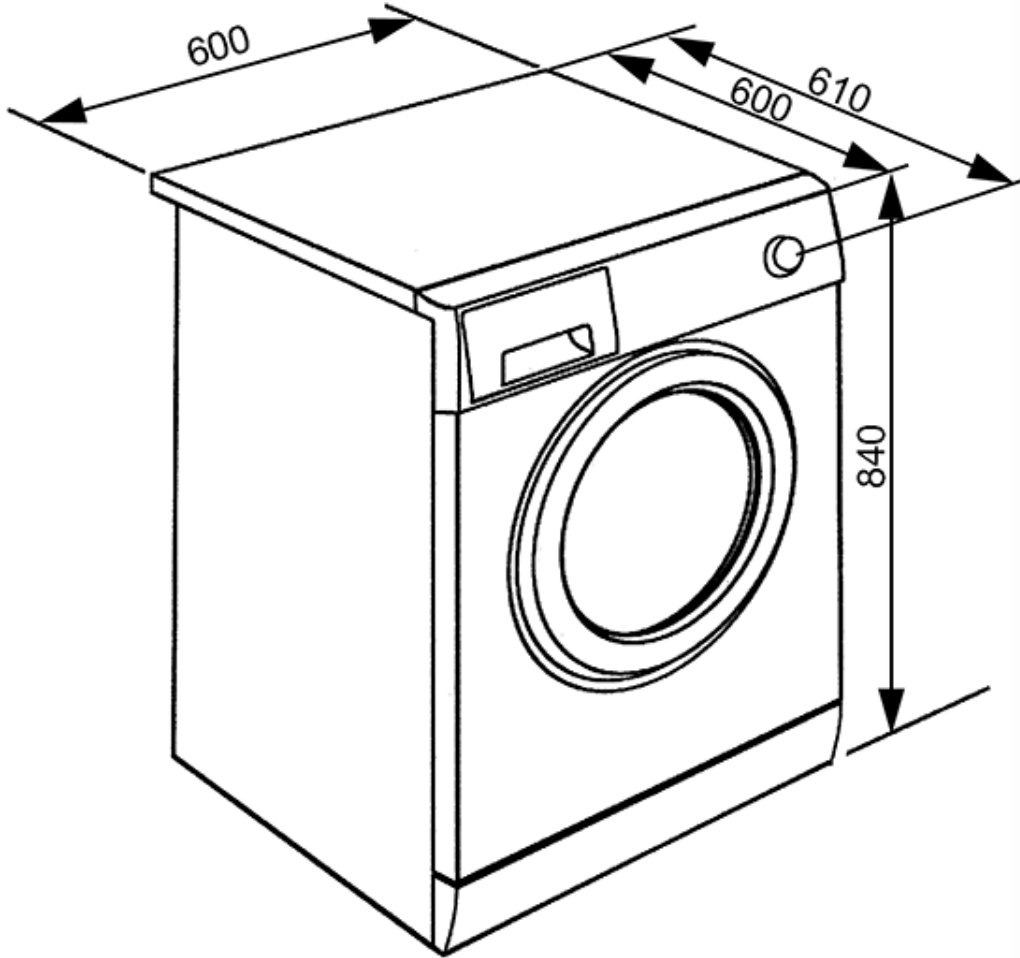


Smeg (UK) Limited
3 Milton Park, Abingdon
Oxon OX14 4RN
Tel. +44 (0)844 557 9907
Fax +44 (0)844 557 9337



WHT914LSUK

9kg load washing machine
free standing
60 cm
white
energy rating A+++B
spin speed: 1400



Smeg (UK) Limited
3 Milton Park, Abingdon
Oxon OX14 4RN
Tel. +44 (0)844 557 9907
Fax +44 (0)844 557 9337