

4.0 Cu. Ft. Compact Refrigerator

HC40SG42SS

Available



Unit Specifications

Width	18 7/8"
Depth	20 7/8"
Height	33 3/8"
Weight	53 lbs.
UPC	688057308517

More Easy-To-Use Features

- Half-width Freezer Compartment with Ice Cube Tray
- 1 Full-width and 2 Half-width Door Storage Shelves
- Door Storage Accommodates Gallon Containers & Tall Bottles
- Reversible Door
- Dispense-a-Can® Storage; fits up to 6 cans
- 3 Full-width Interior Glass Shelves
- Space-saving Flat-back Design
- Adjustable Leveling Legs
- Adjustable Thermostat
- Stainless Steel Door with Black Interior

Signature Features

Half-Width Freezer Compartment

Spacious storage for keeping items extra cold

2-Liter and Tall Bottle Storage

Store 2-liter and other tall bottles easily in the door compartment

Dispense-a-Can® Storage

Holds up to 6 cans while providing quick and easy access to your favorite drink

Full-Width Glass Shelves

Allows flexible storage solutions and easy clean up

Warranty

- 1 Year Warranty (Parts and Labor)

- 5 Year Sealed System

Available Finishes



Stainless Steel

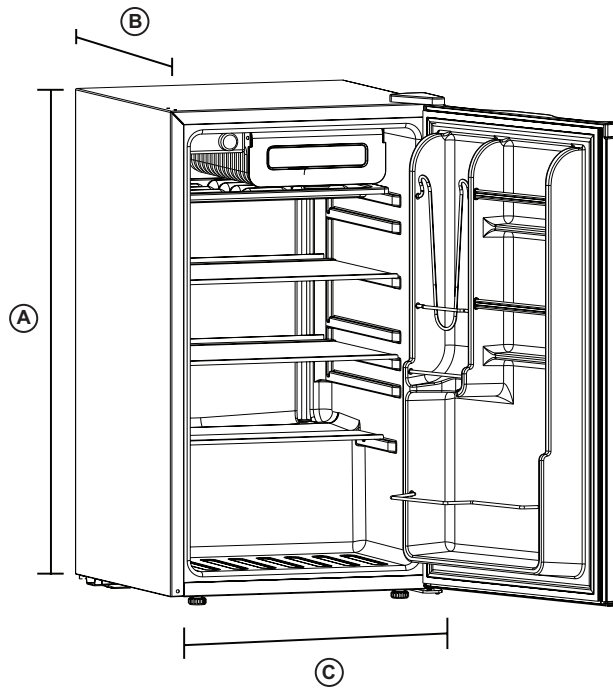
Letter	Unit Dimension	in.
A	Height	33 3/8"
B	Depth	20 7/8"
C	Width	18 7/8"

Clearances	
Back	2"
Sides	3/4"
Top	2"

Power Requirements	
Electrical Rating	115V, 60Hz
Energy Use	249kWh
Refrigerant	R600a

Overall Packaging Details		
Packaging	lb./in.	
Gross Weight	58.6 lb.	
Dimensions	W	20 1/4"
	D	22 11/25"
	H	34 5/8"

Product Technical Illustration



*Household Use

*Freestanding Installation only

General Appliance Information

Please read all installation details and instructions before use.

Contact Us

For questions regarding this product please refer to our website at haieramerica.com or call our customer service center at 877-337-3639.

