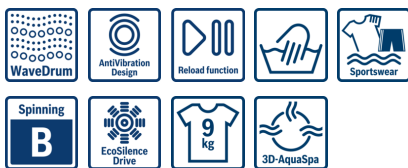


Serie | 8, Washing machine, front loader, 9 kg, 1400 rpm WAV28KH9GB



A+++



The Serie|8 i-DOS washer with Home Connect and 4D Wash System with Intensive Plus provides spotless results with every load.

- **i-DOS System:** automatically measures the precise amount of detergent and water needed for each load.
- **4D Wash System:** highly efficient water and detergent fabric penetration for spotless results.
- **Home Connect:** home appliances with smart connectivity for an easier everyday life.
- Everything is automatically adjusted to the needs of your laundry depending on fabric type and the degree of soiling.
- **EcoSilence Drive™:** extremely energy-efficient and quiet in operation with a 10-year warranty.
- **AllergyPlus:** specially developed for the needs of allergy sufferers and sensitive skin.
- **SpeedPerfect:** perfectly clean in up to 65% less time.
- **Intensive Plus:** for extra cleaning boost for heavily soiled and full loads.
- **Consumption indication:** easy operation and indication of energy and water consumption.
- **WaveDrum:** gentle washing thanks to a unique drum structure.
- **Reload function:** allows you to add any forgotten item while washing.
- **DrumClean with reminder function:** programme for cleaning and maintaining the drum.
- **AntiVibration™ Design:** extremely stable and especially quiet thanks to special vibration protection.
- **Energy efficiency class A+++ -30%:** 30% more efficient than the best efficiency class.
- **TouchControl buttons:** convenient to operate thanks to the electronic control panel
- **TimeDelay Function:** select the time within the next 24 hours when your laundry will be done.

Optional accessories

WMZ2200 : Floor securing component

Technical Data

Construction type :	Free-standing
Height of removable worktop (mm) :	850
Dimensions of the product (mm) :	848 x 598 x 590
Net weight (kg) :	83.211
Connection rating (W) :	2300
Current (A) :	10
Voltage (V) :	220-240
Frequency (Hz) :	50
Approval certificates :	CE, VDE
Length of electrical supply cord (cm) :	210
Washing performance class :	A
Door hinge :	Left
Wheels :	No
EAN code :	4242005168408
Capacity cotton (kg) - NEW (2010/30/EC) :	9.0
Energy efficiency class (2010/30/EC) :	A+++
Energy consumption annual (kWh/annum) - NEW (2010/30/EC) :	152.00
Power consumption in off-mode (W) - NEW (2010/30/EC) :	0.12
Power consumption in left-on mode - NEW (2010/30/EC) :	0.50
Water consumption annual (l/annum) - NEW (2010/30/EC) :	11220
Spin drying performance class :	B
Maximum spin speed (rpm) - NEW (2010/30/EC) :	1400
Average washing time cotton 40C (partial load) - NEW (2010/30/EC) :	180
Average washing time cotton 60C (full load) (min) - NEW (2010/30/EC) :	240
Average washing time cotton 60C (partial load) - NEW (2010/30/EC) :	225
Duration of the left-on mode - NEW (2012/30/EC) (min) :	178
Noise level washing (dB(A) re 1 pW) :	46

Serie | 8, Washing machine, front loader, 9 kg, 1400 rpm WAV28KH9GB

The Serie|8 i-DOS washer with Home Connect and 4D Wash System with Intensive Plus provides spotless results with every load.

Performance

- Energy Efficiency Class: A+++ at a range of energy efficiency classes from A+++ to D
- Capacity: 9 kg
- Maximum spin speed: 1400 rpm**
- B spin class
- Energy consumption :Weighted p.a. E-Consump. EU: 152 kWh kWh per year, based on 220 standard washing cycles
- -30% more economical (152kWh/year) than the standard value (217 kWh/year) of energy efficiency class A+++
- Energy consumption: standard 60 °C cotton programme 0.95 kWh full load and 0.45 kWh partial load and 40 °C cotton programme 0.52 kWh partial load
- Cottons 60 Eco and Cottons 40 Eco are the standard washing programmes to which the information in the label relates. These programmes are suitable to clean normally soiled cotton laundry and are the most efficient programmes in terms of combined energy and water consumption.
- Weighted power consumption off-mode / left-on mode: 0.12 W / 0.5 W
- Water consumption 11220 litres per year, based on 220 standard washing cycles
- Programme time:60 °C cotton programme 240 min at full load 225 min at partial load and 40 °C cotton programme 180 min partial load
- Drum volume: 65 litres
- Noise level washing : 46dB (A) re 1pW: Noise level spinning:70dB (A) re 1 pW

Programmes/functions

- Touch control buttons: On/off, Ready in, i-DOS 1, i-DOS 2, Intensive Plus, Rinse Plus, Remote Start, start/pause with reload function, Temperature selection, SpeedPerfect, Prewash, Spin speed reduction/Rinse Hold
- Standard programmes: cottons, easy care, delicates, wool hand wash
- Special programmes: Allergy +, Automatic Gentle, Drum clean with reminder, Shirts, Drain / Spin, Mixed Load, Sportswear, Single Rinse, Super Quick 15/30
- Safeguard monitoring system adjusts load distribution and programme settings to protect clothes

Key features

- i-DOS: automatic dosing of liquid detergent and softener
- 4D Wash System: highly efficient water and detergent fabric penetration for spotless results.
- Reload function: Flexibility in adding laundry items into the drum, even after the wash cycle has started.
- EcoSilence drive with 10 year warranty
- AntiVibration Design - for more stability and quietness
- ActiveWater: water management system
- EcoBar Plus function: five possible levels of energy and water consumption
- Home Connect: Remote Monitoring and Control, Energy Management

Additional features

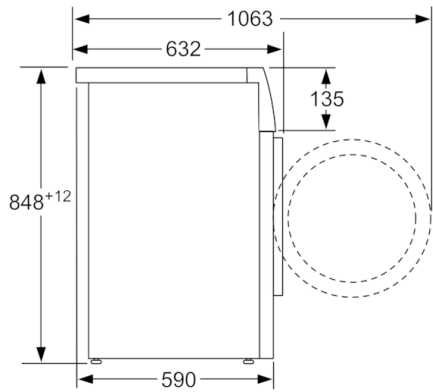
- Large LED-Display for programme status indication, temperature selection, max. spin speed, remaining time and 24 hour end time delay, i-Dos selection and consumption indication
- Automatic load detection for precise detection of loaded laundry to adjust automatically the amount of water is needed in every wash.
- Control dial with integrated On / Off mode
- WaveDrum: gentle and efficient washing
- Drum clean with reminder function
- Flow-through sensor for optimum water use
- Multiple Water Protection
- Sound insulation by additional noise reduction material
- Drum interior light
- Foam detection system
- Overdosage indication
- Child lock
- Acoustic signals: Buzzer

Technical Information

- Slide-under installation
- Large chrome, white door with 171° opening and 32cm porthole opening
- Dimensions (H x W): 84.8 cm x 59.8 cm
- Appliance depth: 59.0 cm
- Appliance depth incl. door: 63.2 cm
- Appliance depth with open door: 106.3 cm

** Values are rounded.

**Serie | 8, Washing machine, front loader, 9
kg, 1400 rpm
WAV28KH9GB**



measurements in mm