

**Serie | 6, Washing machine, front loader, 8 kg, 1400 rpm
WAU28S80GB**



A+++



The i-DOS washer with Intelligent Dosing System does everything automatically to get perfect results every time.

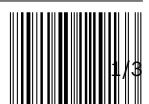
- **i-DOS System:** automatically measures the precise amount of detergent and water needed for each load.
- **i-DOS System:** automatically measures the precise amount of detergent and water needed for each load.
- Everything is automatically adjusted to the needs of your laundry depending on fabric type and the degree of soiling.
- **EcoSilence Drive™:** extremely energy-efficient and quiet in operation with a 10-year warranty.
- **SpeedPerfect:** perfectly clean in up to 65% less time.
- **WaveDrum:** gentle washing thanks to a unique drum structure.
- **ActiveWater™:** reduces water consumption and costs thanks to the sensor-controlled, stepless automatic load adjustment system.
- Start delay and remaining time indication on large LED display.
- **Reload function:** allows you to add any forgotten item while washing.
- **DrumClean with reminder function:** programme for cleaning and maintaining the drum.
- **AntiVibration™ Design:** extremely stable and especially quiet thanks to special vibration protection.
- **TouchControl buttons:** convenient to operate thanks to the electronic control panel
- **EcoBar:** indication of energy consumption at programme selection
- **TimeDelay Function:** select the time within the next 24 hours when your laundry will be done.

Optional accessories

WMZ2200 : Floor securing component

Technical Data

Construction type :	Free-standing
Height of removable worktop (mm) :	850
Dimensions of the product (mm) :	845 x 598 x 590
Net weight (kg) :	71.516
Connection rating (W) :	2300
Current (A) :	10
Voltage (V) :	220-240
Frequency (Hz) :	50
Approval certificates :	CE, VDE
Length of electrical supply cord (cm) :	210
Washing performance class :	A
Door hinge :	Left
Wheels :	No
EAN code :	4242005129133
Capacity cotton (kg) - NEW (2010/30/EC) :	8.0
Energy efficiency class (2010/30/EC) :	A+++
Energy consumption annual (kWh/annum) - NEW (2010/30/EC) :	137.00
Power consumption in off-mode (W) - NEW (2010/30/EC) :	0.10
Power consumption in left-on mode - NEW (2010/30/EC) :	0.50
Water consumption annual (l/annum) - NEW (2010/30/EC) :	9900
Spin drying performance class :	B
Maximum spin speed (rpm) - NEW (2010/30/EC) :	1400
Average washing time cotton 40C (partial load) - NEW (2010/30/EC) :	225
Average washing time cotton 60C (full load) (min) - NEW (2010/30/EC) :	225
Average washing time cotton 60C (partial load) - NEW (2010/30/EC) :	225
Noise level washing (dB(A) re 1 pW) :	49
Noise level spinning (dB(A) re 1 pW) :	72
Installation type :	Free-standing



Serie | 6, Washing machine, front loader, 8 kg, 1400 rpm WAU28S80GB

The i-DOS washer with Intelligent Dosing System does everything automatically to get perfect results every time.

Performance

- Energy Efficiency Class: A+++ at a range of energy efficiency classes from A+++ to D
- Capacity: 8 kg
- Maximum spin speed: 1400 rpm**
- B spin class
- Energy consumption :Weighted p.a. E-Consump. EU: 137 kWh kWh per year, based on 220 standard washing cycles
- -30% more economical (137 kWh/year) than the standard value (196 kWh/year)
- Energy consumption: standard 60 °C cotton programme 0.74 kWh full load and 0.69 kWh partial load and 40 °C cotton programme 0.34 kWh partial load
- Cottons 60 Eco and Cottons 40 Eco are the standard washing programmes to which the information in the label relates. These programmes are suitable to clean normally soiled cotton laundry and are the most efficient programmes in terms of combined energy and water consumption.
- Weighted power consumption off-mode / left-on mode: 0.1 W / 0.5 W
- Water consumption 9900 litres per year, based on 220 standard washing cycles
- Programme time:60 °C cotton programme 225 min at full load 225 min at partial load and 40 °C cotton programme 225 min partial load
- Drum volume: 63 litres
- Noise level washing : 49dB (A) re 1pW: Noise level spinning:72dB (A) re 1 pW

Programmes/functions

- Touch control buttons: Ready in, i-DOS 2.0, start/pause with reload function, Temperature selection, SpeedPerfect, Prewash, Spin speed reduction/Rinse Hold
- Standard programmes: cottons, easy care, delicates, wool hand wash
- Special programmes: Automatic Gentle, Drum clean with reminder, Shirts, Dark Wash, Drain / Spin, Mixed Load, Sportswear, Single Rinse, Super Quick 15/30
- Safeguard monitoring system adjusts load distribution and programme settings to protect clothes

Key features

- i-DOS: automatic dosing of liquid detergent and softener
- Automatic load detection for precise detection of loaded laundry to adjust automatically the amount of water is needed in every wash.
- SpeedPerfect: perfectly clean in up to 65% less time. ***
- Reload function: Flexibility in adding laundry items into the drum, even after the wash cycle has started.
- ActiveWater: water management system
- EcoSilence drive with 10 year warranty
- AntiVibration Design - for more stability and quietness
- Consumption indicator energy

Additional features

- Large LED display for programme status indication, temperature, spin speed, remaining time and 24 hour time delay
- WaveDrum: gentle and efficient washing
- Drum clean with reminder function
- Sound insulation by additional noise reduction material
- Multiple Water Protection
- Foam detection system
- Child lock
- Acoustic signals: Buzzer

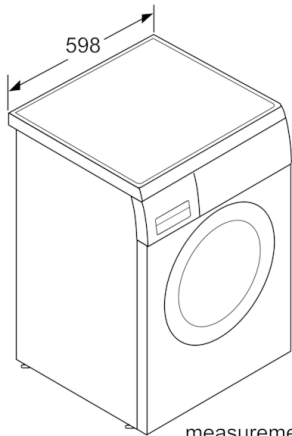
Technical Information

- Slide-under installation
- Large silver-white door with 171° opening and 32cm porthole opening
- Dimensions (H x W): 84.5 cm x 59.8 cm
- Appliance depth: 59.0 cm
- Appliance depth incl. door: 63.3 cm
- Appliance depth with open door: 106.3 cm

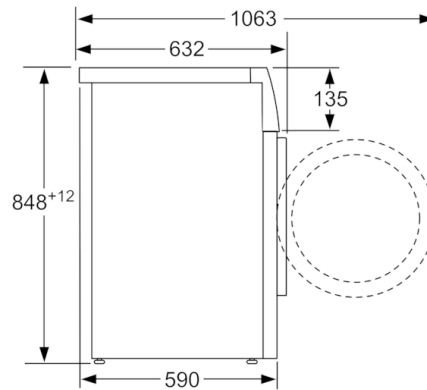
** Values are rounded.

*** Comparison between the program duration of Easy-care 40°C and the program duration of Easy-care 40°C + activated Speed option

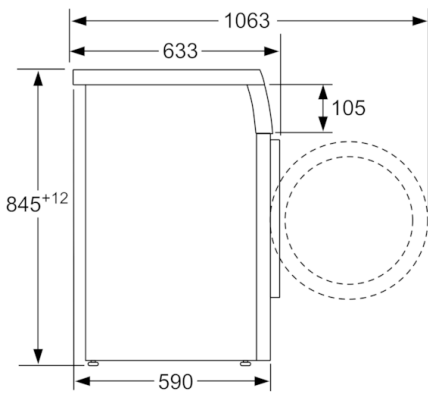
**Serie | 6, Washing machine, front loader, 8 kg, 1400 rpm
WAU28S80GB**



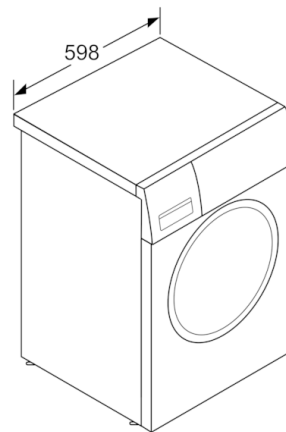
measurements in mm



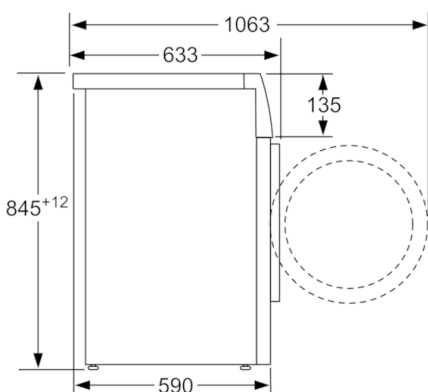
measurements in mm



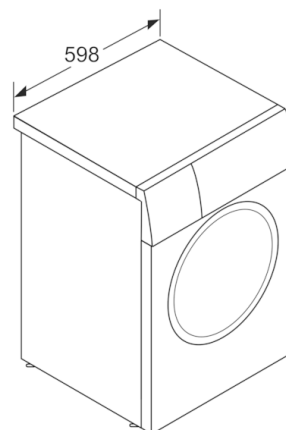
measurements in mm



measurements in mm



measurements in mm



measurements in mm