

**Serie | 6, Built-in washing machine, 8 kg, 1400 rpm
WIW28301GB**



A+++

Our washing machine with EcoSilence Drive: enjoy supremely quiet operation and excellent durability.

- **EcoSilence Drive™:** extremely energy-efficient and quiet in operation with a 10-year warranty.
- **AllergyPlus:** specially developed for the needs of allergy sufferers and sensitive skin.
- **SpeedPerfect:** perfectly clean in up to 65% less time.
- **WaveDrum:** gentle washing thanks to a unique drum structure.
- **ActiveWater™:** reduces water consumption and costs thanks to the sensor-controlled, stepless automatic load adjustment system.
- Easy-to-use LED display with touch control and many additional functions like start delay and remaining time.
- **Reload function:** allows you to add any forgotten item while washing.
- **AquaStop:** protection against water damage - for the life of the appliance.
- **AntiVibration™ Design:** extremely stable and especially quiet thanks to special vibration protection.
- **TouchControl buttons:** convenient to operate thanks to the electronic control panel
- **TimeDelay Function:** select the time within the next 24 hours when your laundry will be done.



Optional accessories

WX975600 : Floor securing component

Technical Data

| | |
|--|-----------------|
| Construction type : | Built-in |
| Height of removable worktop (mm) : | 820 |
| Dimensions of the product (mm) : | 818 x 596 x 544 |
| Net weight (kg) : | 76.492 |
| Connection rating (W) : | 2300 |
| Current (A) : | 10 |
| Voltage (V) : | 220-240 |
| Frequency (Hz) : | 50 |
| Approval certificates : | CE, VDE |
| Length of electrical supply cord (cm) : | 210 |
| Washing performance class : | A |
| Door hinge : | Left |
| Wheels : | No |
| EAN code : | 4242005210664 |
| Capacity cotton (kg) - NEW (2010/30/EC) : | 8.0 |
| Energy efficiency class (2010/30/EC) : | A+++ |
| Energy consumption annual (kWh/annum) - NEW (2010/30/EC) : | 176.00 |
| Power consumption in off-mode (W) - NEW (2010/30/EC) : | 0.12 |
| Power consumption in left-on mode - NEW (2010/30/EC) : | 0.50 |
| Water consumption annual (l/annum) - NEW (2010/30/EC) : | 11000 |
| Spin drying performance class : | B |
| Maximum spin speed (rpm) - NEW (2010/30/EC) : | 1400 |
| Average washing time cotton 40C (partial load) - NEW (2010/30/EC) : | 156 |
| Average washing time cotton 60C (full load) (min) - NEW (2010/30/EC) : | 197 |
| Average washing time cotton 60C (partial load) - NEW (2010/30/EC) : | 156 |
| Noise level washing (dB(A) re 1 pW) : | 41 |
| Noise level spinning (dB(A) re 1 pW) : | 66 |
| Installation type : | Full-integrated |



Serie | 6, Built-in washing machine, 8 kg, 1400 rpm WIW28301GB

Our washing machine with EcoSilence Drive: enjoy supremely quiet operation and excellent durability.

Performance

- Energy Efficiency Class: A+++ at a range of energy efficiency classes from A+++ to D
- Capacity: 8 kg
- Maximum spin speed: 1400 rpm**
- B spin class
- Energy consumption :Weighted p.a. E-Consump. EU: 176 kWh kWh per year, based on 220 standard washing cycles
- Energy consumption: standard 60 °C cotton programme 1.09 kWh full load and 0.56 kWh partial load and 40 °C cotton programme 0.56 kWh partial load
- Weighted power consumption off-mode / left-on mode: 0.12 W / 0.5 W
- Water consumption 11000 litres per year, based on 220 standard washing cycles
- Programme time:60 °C cotton programme 197 min at full load 156 min at partial load and 40 °C cotton programme 156 min partial load
- Indication that Eco 40-60 is the standard washing program to which the information in the label and the fiche relates, that this program is suitable to clean normally soiled cotton laundry and that this is the most efficient program in terms of combined energy and water consumption. The actual temperature may vary with this combination from the specified program temperature. Washing times will be extended for the benefit of lower energy consumption. Washing effect A is always guaranteed in the process.
- Noise level washing : 41dB (A) re 1pW: Noise level spinning:66dB (A) re 1 pW

Programmes/functions

- Large display for programme progress indication, spin speed, remaining time, 24 hour end time delay and load recommendation.
- Touch control buttons: Ready in, SpeedPerfect, start/pause with reload function, Spin speed reduction
- Special programmes: Drain / Spin, Shirts, Mixed Load, Allergy +, Quiet Wash, Single Rinse, Handwash/Wool, 30°C
- Safeguard monitoring system adjusts load distribution and programme settings to protect clothes

Key features

- Reload function: Be flexible in adding laundry items even after start of the wash cycle.
- EcoSilence drive with 10 year warranty

Additional features

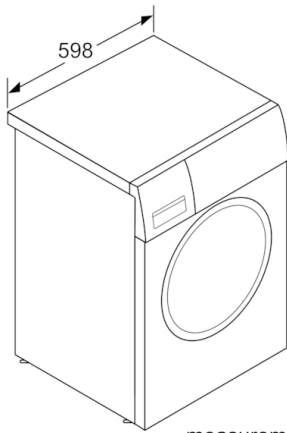
- Continuous automatic load adjustment system
- AquaStop: Bosch home appliance with lifetime warranty against water damage*
- Foam detection system
- Detergent dispensing: easy clean
- Divider for Liquid Detergent
- Buzzer to indicate the end of cycle

Technical Information

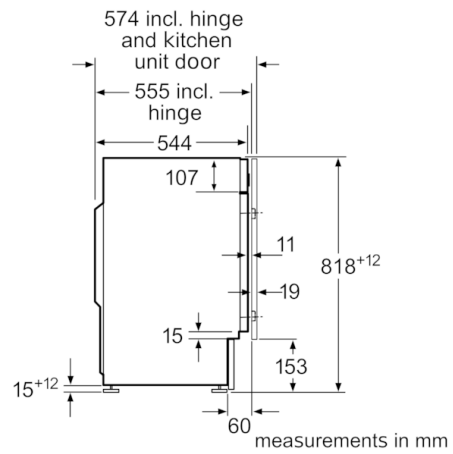
- Fully integrated
- Large white door with 130° opening and 30 cm porthole
- Furniture door is reversible
- Dimensions (H X W X D): 81.8 x 59.6 x 57.4 cm
- Height adjustment with cardanDrive
- adjustable base height: 15 cm
- adjustable base depth: 6.5 cm

* Please find warranty terms under <https://www.bosch-home.co.uk/customer-service/care-protection-and-parts/additional-warranties>
** Values are rounded.

**Serie | 6, Built-in washing machine, 8 kg,
1400 rpm
WIW28301GB**

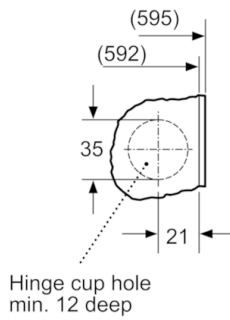


measurements in mm

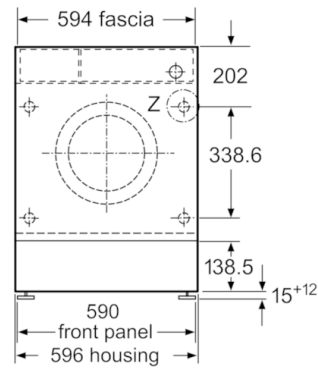


measurements in mm

Z detail



measurements in mm



measurements in mm