

## WMFABPB-2

### 50's Retro style

50's style free-standing washing machine, Pastel Blue  
Energy rating A++B

AVAILABLE WHILST STOCKS LAST!

EAN13: 8017709229689

- Electronic display includes 24h delay timer
- Buttons/Options: Delay timer/FlexiTime/Prewash/Additional rinse/No spin/Anti-wrinkle (easy ironing)/Intensive/Cold wash
- On/off & programme control
- Electronic display shows programme selected and progression
- 15 washing programmes including;
  - Special programmes; Shirts, Jeans, Night, Quick 15 min, Sport
- Customised options; variable temperature, spin speed up to 1400 rpm and option selector including FlexiTime
- Max 7kg of dry laundry
- Extra large 300mm porthole
- Automatic variable load
- Total acquastop
- Child lock (control block)

Consumption: (based on 220 cycles)

- Water: 10340 litres per year
- Energy: 193 kWh per year
- Noise level washing: 59 dB (A) re 1 pW
- Noise level spinning: 78 dB (A) re 1 pW
- Energy consumption:
  - Stand by left on mode: 0.8W/ Stand by off mode: 0.2W
  - Nominal power: 2.20k
- Energy efficiency class: A++
- Washing efficiency: A
- Spin performance: B

NB: This product is free-standing. It is not designed to be built-in and cannot be slotted beneath a worktop.

A gap of 100mm must be left on the left-hand side of the product to allow the door to open.



### Functions





**A++:**

Smeg products with A+ or A++ energy rating are highlighted with one of the following Symbols



**Load capacity 7Kg:**

Drum has maximum capacity of 7kg of dry laundry.



**LCD display:**

to show programmes, functions and options selected and the time to the end of the cycle.



**Delay timer:**

can be set to run the programme at a convenient time or to take advantage of off-peak energy periods.



**FlexiTime:**

The FlexiTime option allows the user to reduce the time of the cycle selected, providing extra flexibility and control.



**Total acquastop:**

the product is built with 3 levels of anti-flood devices to ensure protection against water leakage.



**Child lock:**

some models are fitted with a device to lock the programme/cycle so it cannot be accidentally changed.



**Super fast 15 min:**

a programme designed to wash small amounts of laundry fast, ideal for washing lightly soiled garments.



**Shirts:**

a cycle to wash shirts in a short time with the utmost care, using a delicate spin for easy ironing.



**Gym:**

a cycle designed for washing lightly soiled garments, ie sports wear, this is a fast wash which is also kind to fabrics.



**Hand wash:**

this specific programme for delicate fabrics uses slower rotations of the drum to ensure the utmost care for clothing.



**Jeans:**

a washing cycle which is kind to the colour and fabric of denim whilst minimising wrinkles.



**Mixed fabrics:**

this cycle is designed for lightly soiled laundry in a mix of cottons and synthetics, or can be used just to refresh stored items.



**Night:**

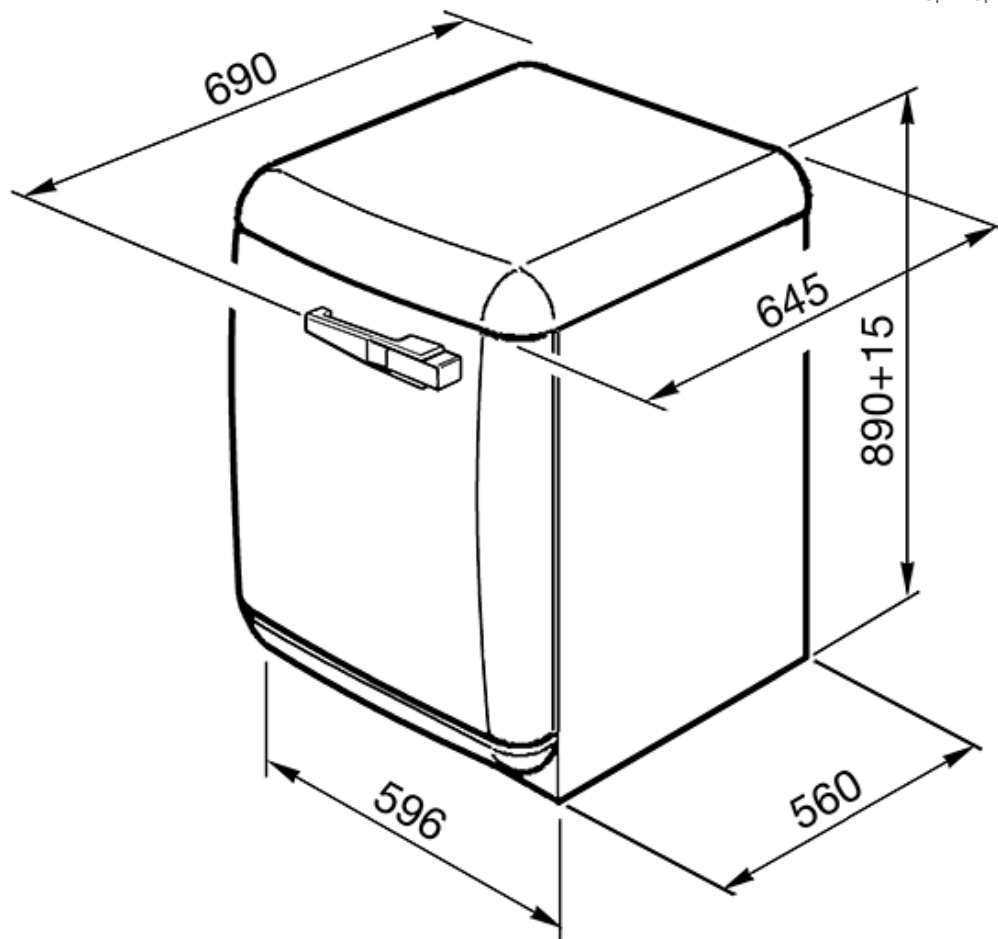
an ideal programme for those who want to take advantage of off-peak energy periods, this cycle is particularly quiet due to slower rotations of the drum.



## WMFABPB-2

50's Retro style

washing machine  
free standing  
60 cm  
pastel blue  
energy rating A++  
spin speed: 1400



Smeg (UK) Ltd  
The Magna Building, Wyndyke Furlong, Abingdon  
OX14 1DZ  
Tel. +44 (0)844 557 9907  
Fax +44 (0)844 557 9337